

PROTECT and CONNECT



LOADMASTER™ RACKMOUNT CASES



LOADMASTER™ RACKMOUNT CASES

New Loadmaster™ Rackmount Cases offer the superior performance of the original Legacy Rackmount Case with added ergonomic enhancements, improved stacking features and standardized options.

ECS couples superior design with durable materials to make the most ruggedized, compact rackmount cases available. Loadmaster™ Rackmount Cases are manufactured using incredibly durable TSC reinforced composite materials.

The Loadmaster™ stacking system allows for complete stackability with previously fielded TSC rackmount cases as well as any Loadmaster™ rotationally molded shipping case.

- **COTS and ships in 5 days**
- **Field replaceable hardware**
- **Ergonomic enhancements**
- **Standardized options**
- **Compact, lightweight design**
- **Nesting lids**
- **3" or 5" deep lids**

TSC composite materials are very rigid under heavy stacking loads and resilient during impacts.

UNRIVALED PROTECTION

Molded Case-to-Case Stacking Features

Non-Reflective Surface

Automatic Air Pressure Relief Valve

Ergonomically Correct Polymer Handles

Stacking Latches
Watertight Gasket

Molded-in lid hangers and nesting lids for organized storage



SUPERIOR DESIGN

TSC Composite Case Exterior

Slide or Fixed Mounted Rackmount Frame

Shock isolation system for payloads up to 200 pounds

10-32 nut-bar fasteners for equipment panels

Slides and quick-release fasteners allow CEA compliant rack to be easily removed and securely reinstalled

LOADMASTER™



Stacking System

Performance Tested for Harsh Operational Conditions

ECS cases are tested in accordance with MIL-STD-810G:

High and Low Temperature

Proven performance in temperature extremes ranging from -65° F to +185° F.

Drop Testing

Able to withstand the rigors of deployment - drop tested from a height of 24 to 48 inches. Impacts conducted on all corners, flat surfaces and edges for a total of 26 drops.

Basic Transportation Vibration

Built to move, ECS cases are exposed to vibration environments for a duration of 30 minutes per mutually perpendicular axis.

Loose Cargo Bounce

Upright and with the covers in place, ECS cases show no damage and/or degradation when exposed to Loose Cargo Transportation environments for 30 minutes.

Water Submersion/Wind Blown Rain

ECS cases show no evidence of water intrusion and/or damage as a result of exposure to 40 mph wind blown rain conditions.

Wind Blown Sand and Dust

ECS cases are desert ready and show no evidence of damage and/or sand or dust intrusion.

Fungus Growth

ECS case materials will not support fungus growth.

Low Pressure

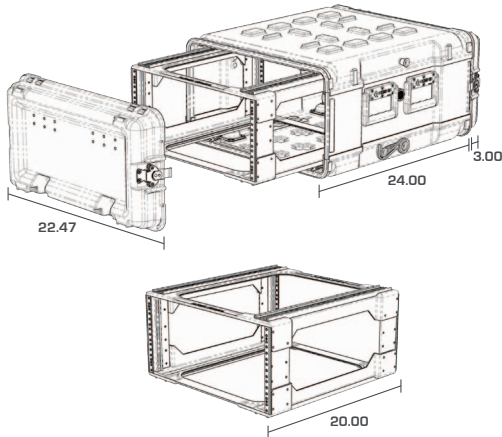
ECS cases are not damaged and/or degraded when exposed to low pressure environments.

LOADMASTER™ RACKMOUNT SPECIFICATIONS

20-Inch Rack Depth

7300/8300 Series

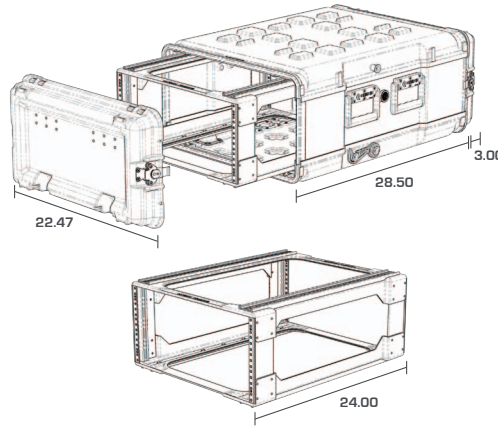
30.00 overall depth with case lids



24-Inch Rack Depth

7500/8500 Series

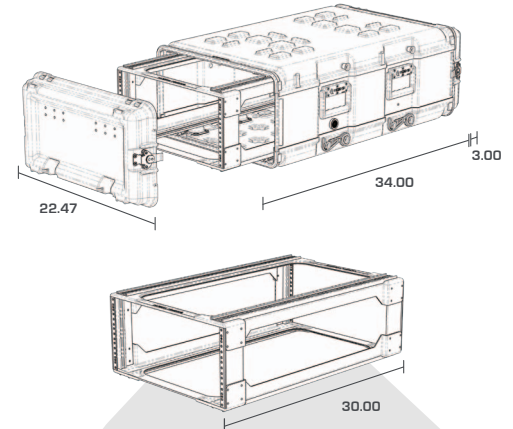
34.50 overall depth with case lids



30-Inch Rack Depth

7900/8900 Series

40.00 overall depth with case lids



Overall Case Height Non-Stacked: 13.25" | +/- 1.75 for unit height above or below 5 unit case as shown | Overall case height stacked: 12.84

Standard Colors

Desert Tan Olive Drab Gray Black



FS-33446

FS-34094

FS-36463



Making the Case Since 1954

3560 Rogue River Highway
Grants Pass, Oregon 97527

Toll-free: 877-426-0030

Fax: 541-474-2479

ECSCase.com

Rack Units	Rack Height Inside (Inch)	7300/8300 Series Case Weight (lbs)		7500/8500 Series Case Weight (lbs)		7900/8900 Series Case Weight (lbs)	
		Fixed	Slide-Out	Fixed	Slide-Out	Fixed	Slide-Out
3	5.25	34.90	36.80	38.60	40.50	42.80	46.30
4	7.00	37.00	38.90	40.70	42.70	45.10	48.60
5	8.75	38.90	40.80	42.80	44.70	47.30	50.80
6	10.50	42.30	44.20	46.30	48.20	50.90	54.50
7	12.25	44.30	46.20	48.40	50.30	53.20	56.70
8	14.00	46.70	48.60	50.90	52.80	55.90	59.40
9	15.75	48.60	50.50	52.90	54.80	58.00	61.60
10	17.50	50.50	52.40	54.90	56.80	60.20	63.70
11	19.25	51.00	52.90	55.60	57.50	61.00	64.60
12	21.00	52.90	54.80	57.60	59.50	63.20	66.70
13	22.75	54.90	56.90	59.70	61.60	65.40	69.00
14	24.50	56.80	58.70	61.70	63.60	67.60	71.10
15	26.25	59.70	61.60	64.70	66.60	70.80	74.40
16	28.00	61.60	63.50	66.70	68.60	73.00	76.60
17	29.75	63.50	66.40	68.70	70.60	75.10	78.70
18	31.50	65.40	67.30	70.70	72.60	77.30	80.80
19	33.25	67.30	69.20	72.70	74.60	79.40	83.00
20	35.00	69.20	71.10	74.90	76.80	81.60	85.20